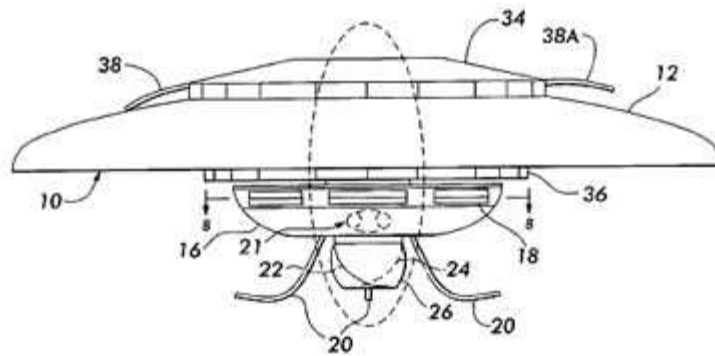
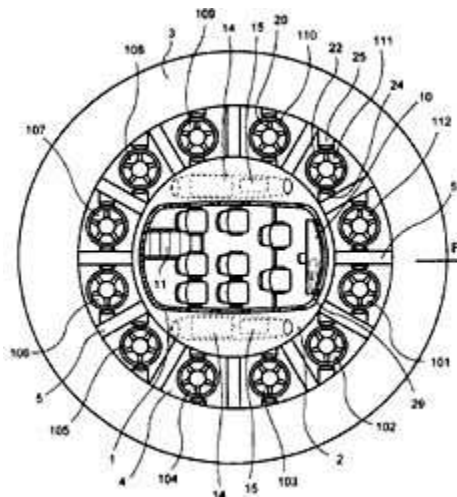


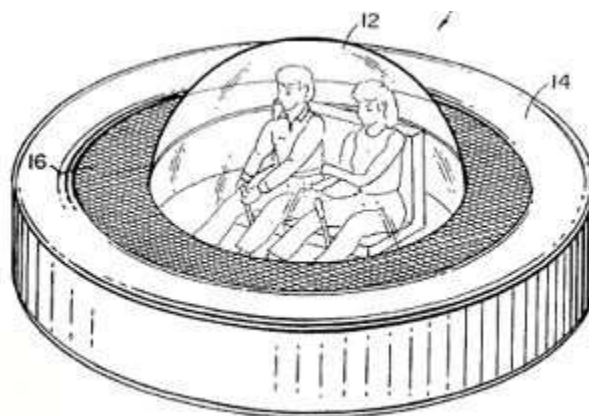
**USP # 6,270,036 (8-7-01) ~ Blown-Air Lift Generating Rotating Airfoil Aircraft**  
**Lowe, Charles S., Jr.**



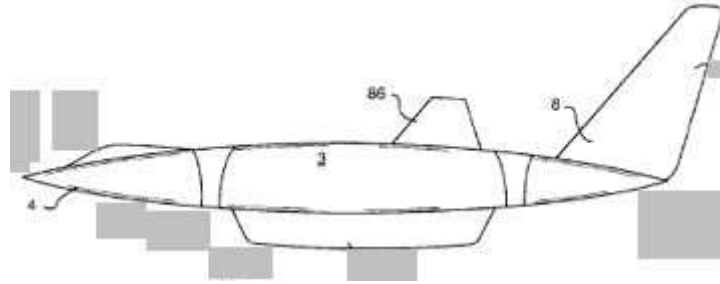
**USP # 6,254,032 (7-3-01) ~ Aircraft, &c...**  
**Bucher, Franz**



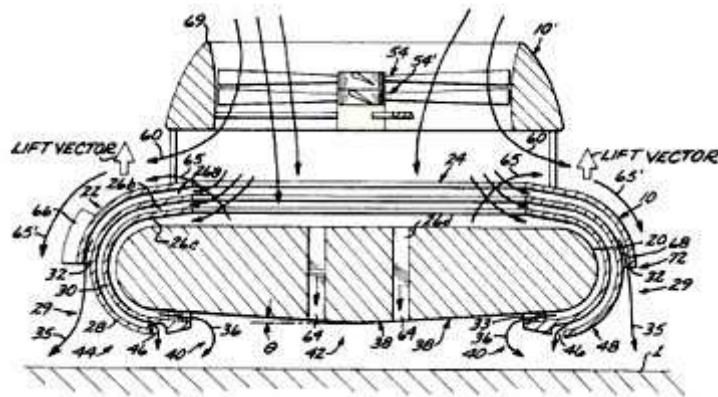
**USP # 6,179,247 (1-30-01) ~ Personal Air Transport**  
**Milde, Jr., Karl F.**



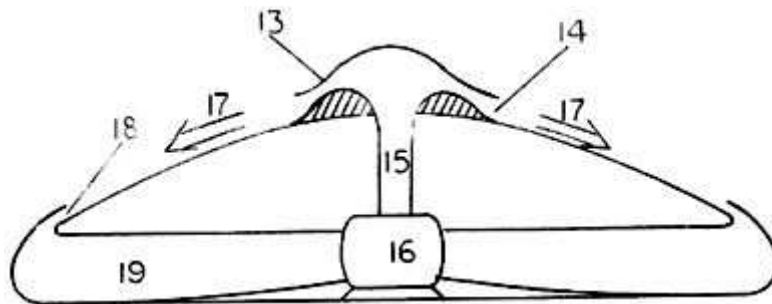
**USP # 6,113,029 (9-5-00) ~ Aircraft Capable of Hovering Flight**  
**Salinas, Luis A.**



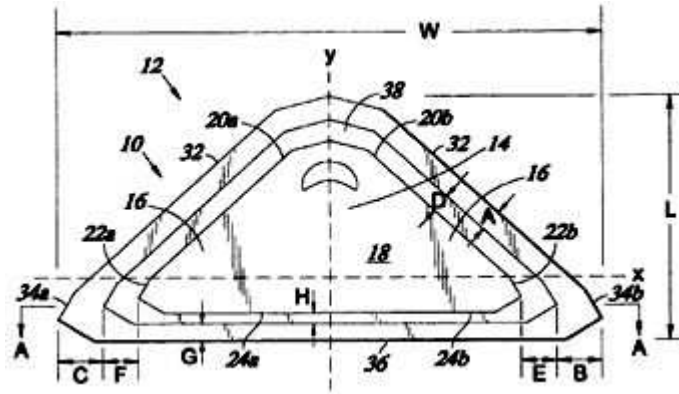
**USP # 6,082,478 (7-4-00) ~ Lift-Augmented Ground Effect Platform**  
**Walter, William. C., et al.**



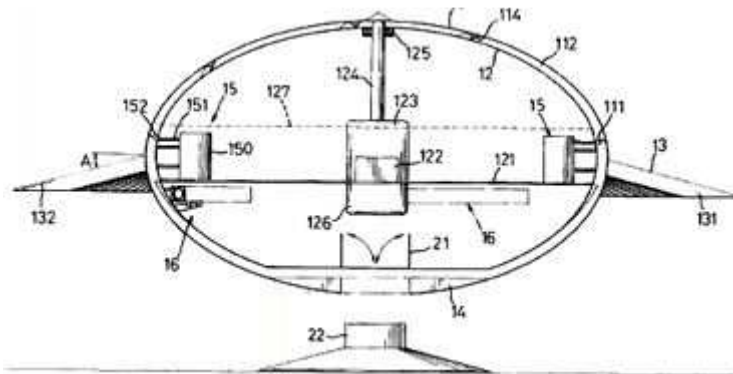
**USP # 6,073,881 (6-13-00) ~ Aerodynamic Lift Apparatus**  
**Chen, Chung-ching**



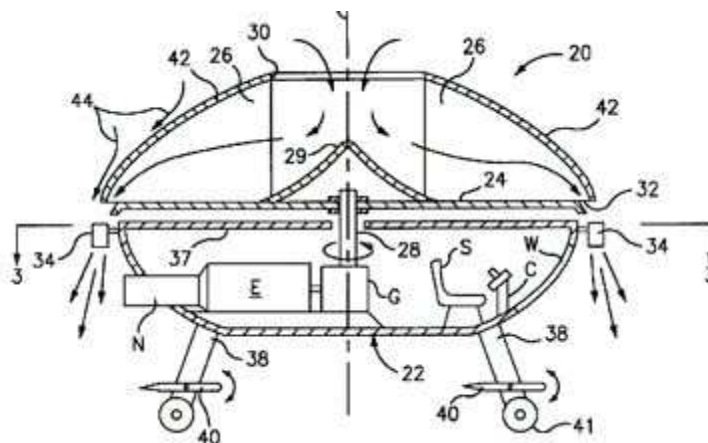
**USP # 6,068,219 (5-30-00) ~ Single-Surface Multi-Axis Aircraft Control**  
**Arata, Allen A.**



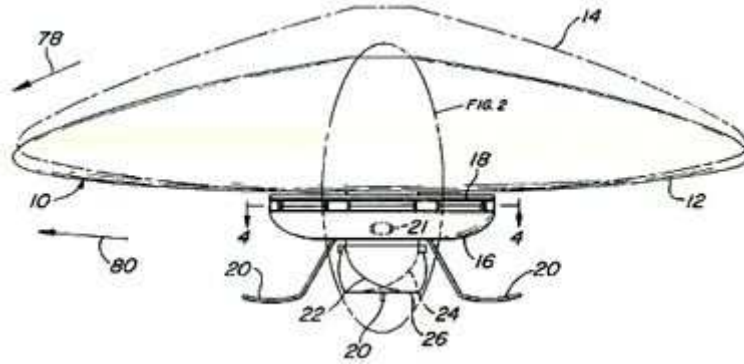
**USP # 6,053,451 (4-25-00) ~ Remote-Control Flight Vehicle Structure**  
 Yu, Shia-Giow



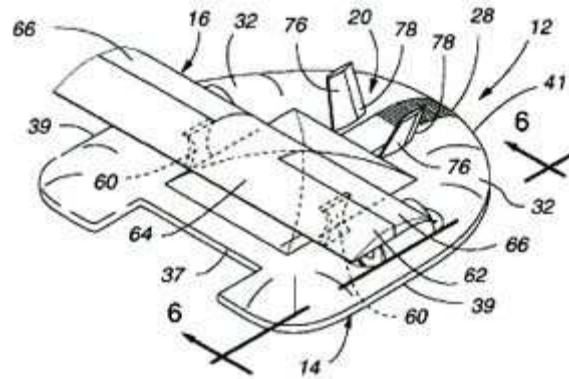
**USP # 6,050,520 (4-18-00) ~ VTOL Aircraft**  
 Kirla, Stanley J.



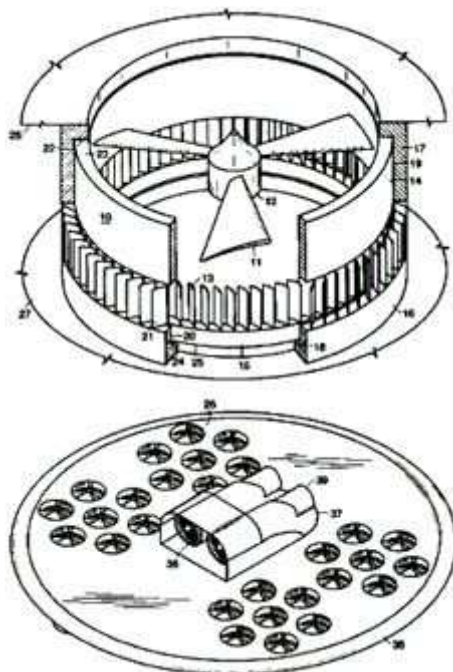
**USP # 6,016,991 (1-25-00) ~ Evacuated Rotating Envelope Aircraft**  
 Lowe, Jr., Charles S.



**USP # 5,971,321 (10-26-99) ~ Body-Lift Airplane Assembly  
Libengood, Ronald L.**

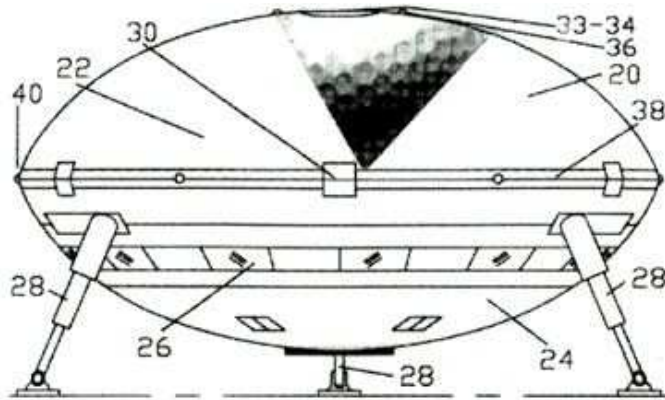


**USP # 5,895,011 (4-20-99) ~ Turbine Airfoil Lifting Device  
Gubin, Daniel**



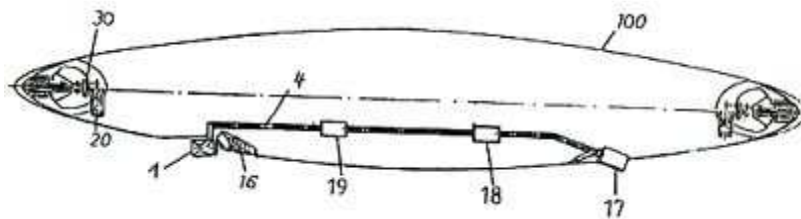
---

**USP # 5,881,970 (3-16-99) ~ Levity Aircraft Design  
Whitesides, Carl W.**



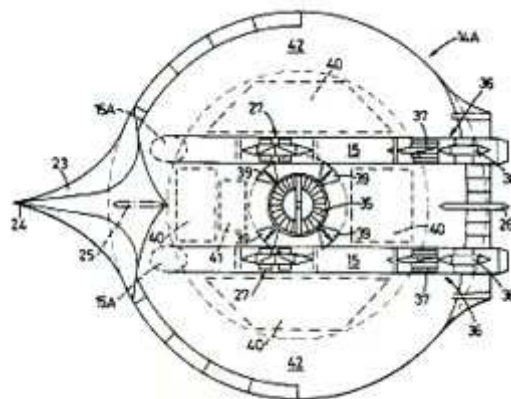
---

**USP # 5,836,543 (11-17-98) ~ Discus-Shaped Aerodyne Vehicle...  
Kunkel, Klaus**



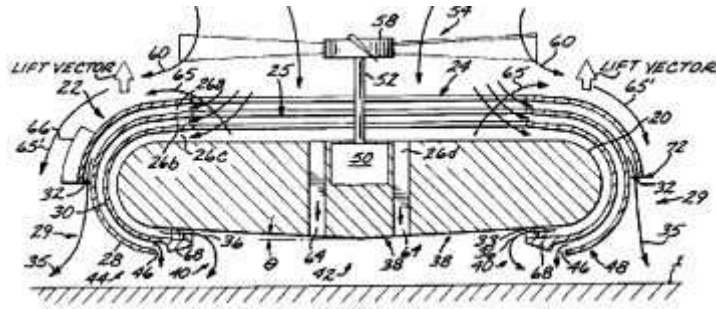
---

**USP # 5,836,542 (11-17-98) ~ Flying Craft &c...  
Burns, David J.**

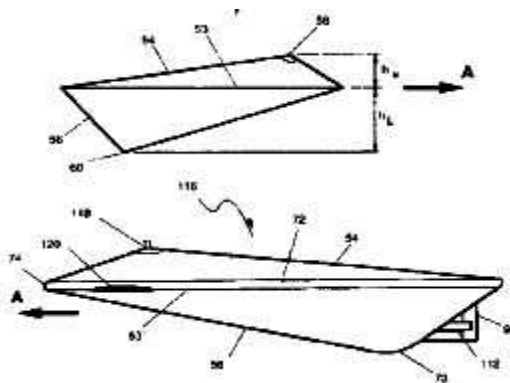


---

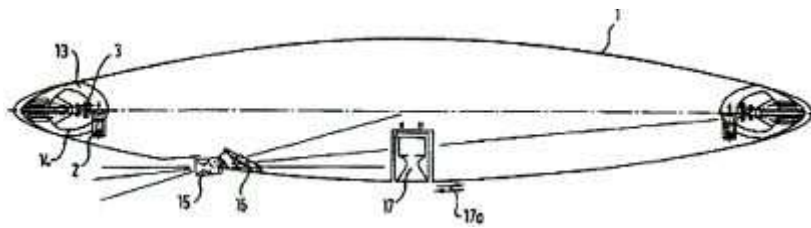
**USP # 5,803,199 (9-8-98) ~ Lift-Augmented Ground Effect Platform  
Walter, William C.**



**USP # 5,730,391 (3-24-98) ~ Universal Fluid-Dynamic Body for Aircraft & Watercraft  
Miller, Jr., John A., et al.**

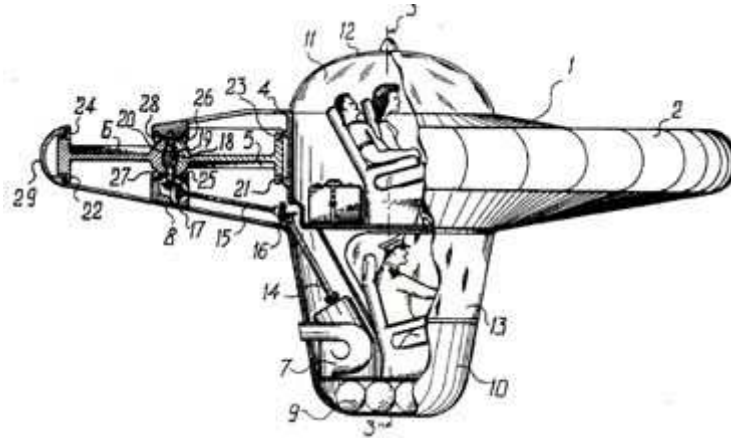


**USP # 5,730,390 (3-24-98) ~ Reuseable Spacecraft  
Plichta, Peter & Buttner, Walter**

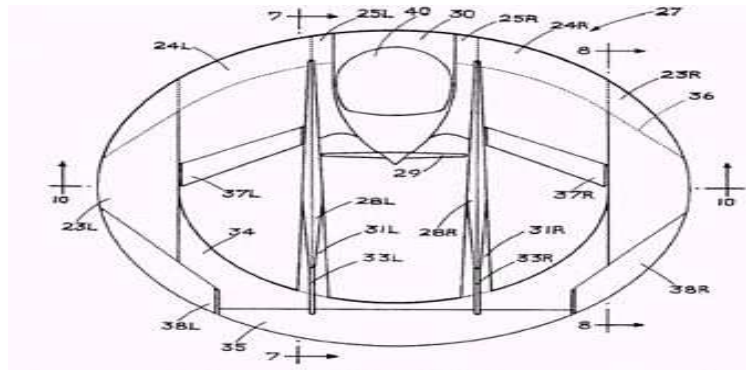


**USP # 5,653,404 (8-5-97) ~ Disc-Shaped Submersible Aircraft  
Ploskin, Gennady**

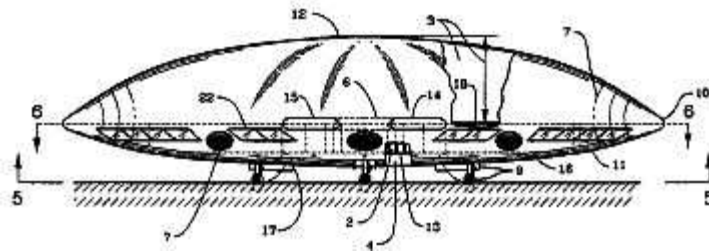




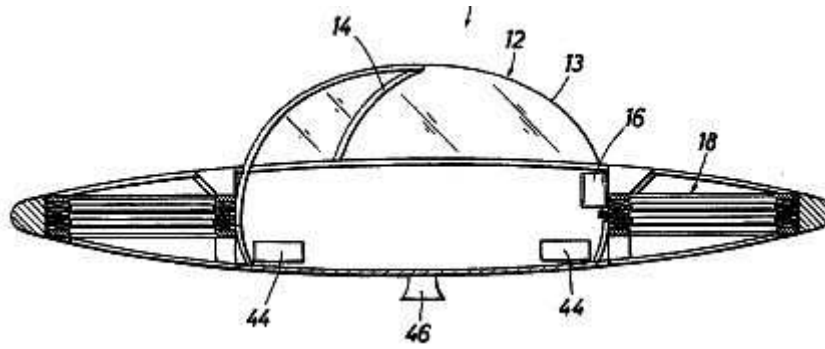
**USP # 5,520,355 (5-28-96) ~ Three-Wing Circular Planform Body  
Jones, Jack M.**



**USP # 5,351,911 (10-4-94) ~ VTOL Flying Disc  
Neumayr, George A.**

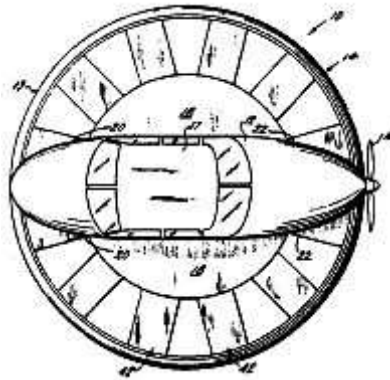


**USP # 5,344,100 (9-6-94) ~ Vertical Lift Aircraft  
Jaikaran, Allan**



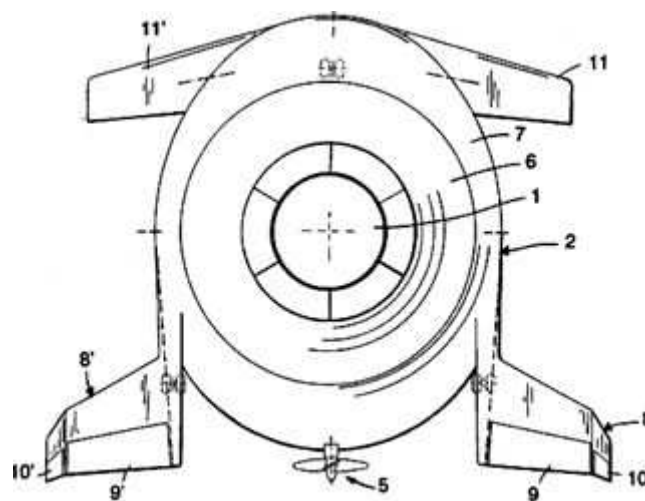
---

**USP # 5,318,248 (6-7-94) ~ Vertical Lift Aircraft  
Zielonka, Richard H.**



---

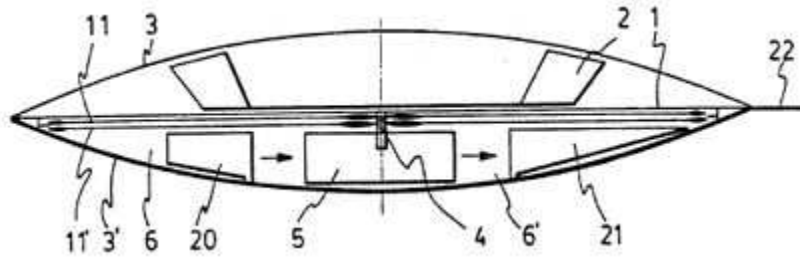
**USP # 5,303,879 (4-19-94) ~ Aircraft with a Ducted Fan in a Circular Wing  
Bucher, Franz**



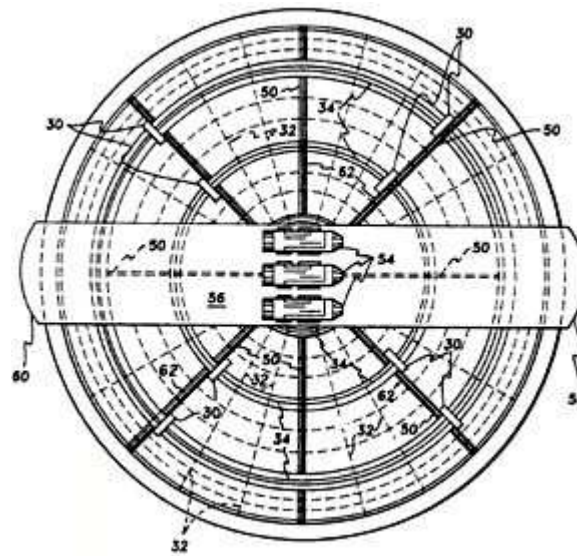
---

**USP # 5,295,571 (11-9-93) ~ Aircraft with Gyroscopic Stabilization System  
Blazquez, Jose M.**

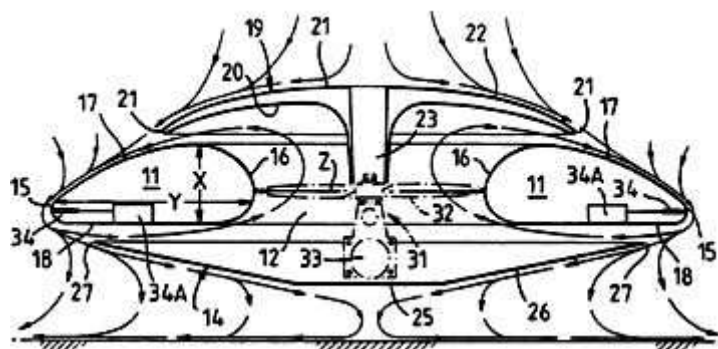




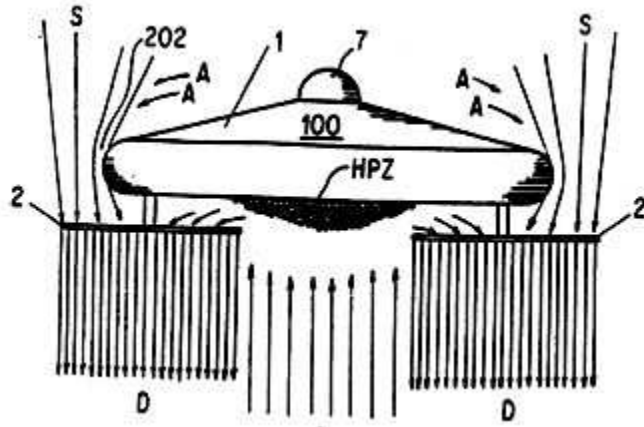
**USP # 5,213,284 (5-25-93) ~ Disc Planform having Vertical Flight Capability**  
**Webster, Stephen N.**



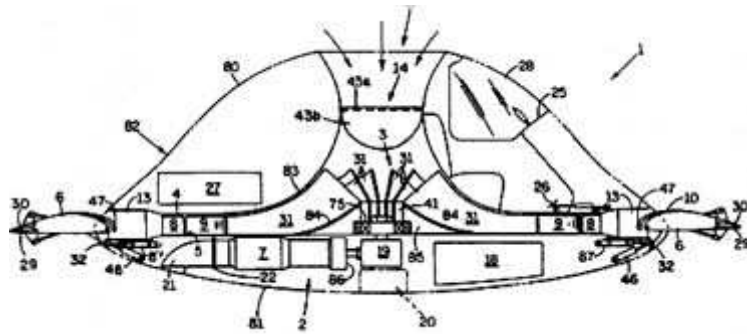
**USP # 5,203,521 (4-20-93) ~ Annular Body Aircraft**  
**Day, Terence**



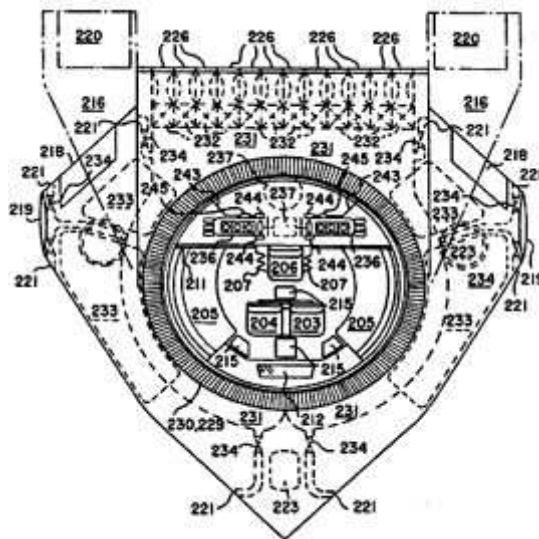
**USP # 5,178,344 (1-12-93) ~ VTOL Aircraft**  
**Dlouhy, Vaclav**



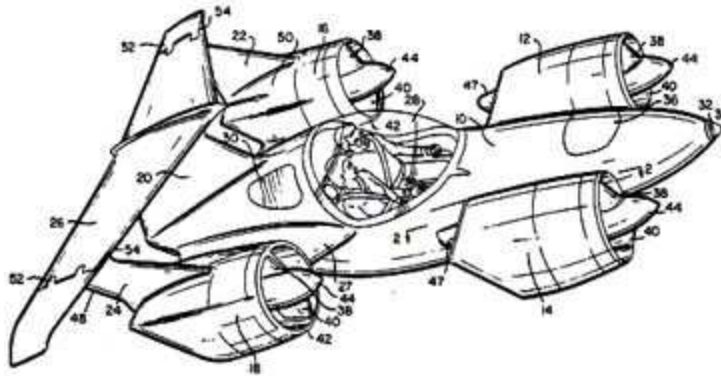
USP # 5,170,963 (12-15-92) ~ VTOL Aircraft  
Beck, Jr., August H.



USP # 5,149,012 (9-22-92) ~ Turbocraft  
Valverde, Rene L.

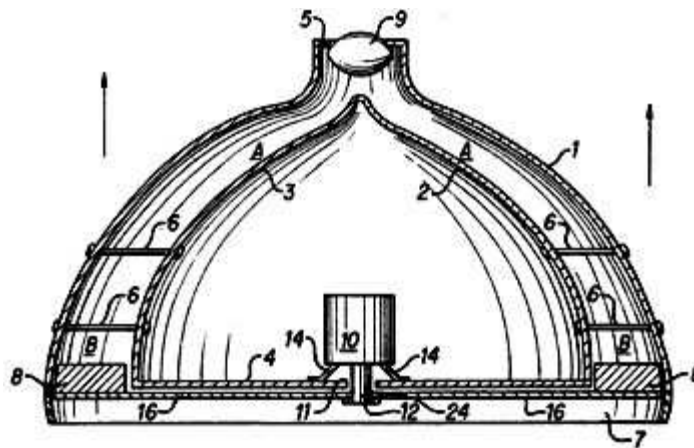


**USP # 5,115,996 (5-26-92) ~ VTOL Aircraft  
Moller, Paul S.**



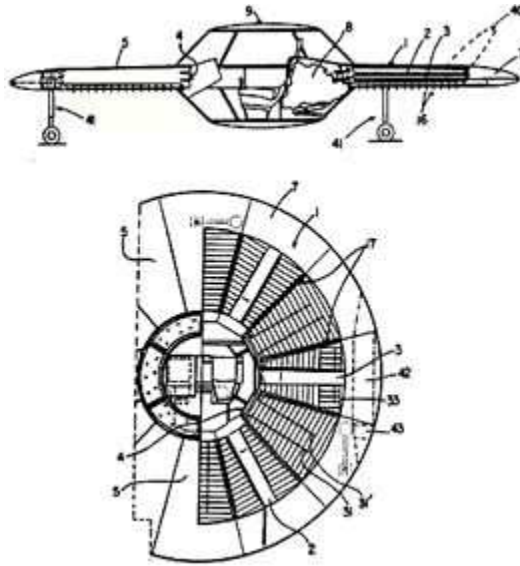
---

**USP # 5,102,066 (4-7-92) ~ VTOL Aircraft  
Daniel, William H.**

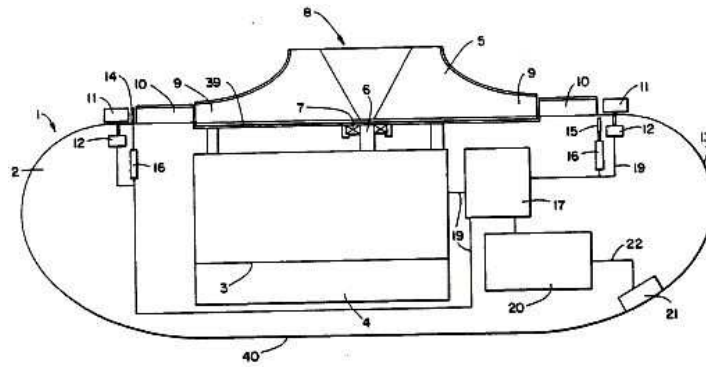


---

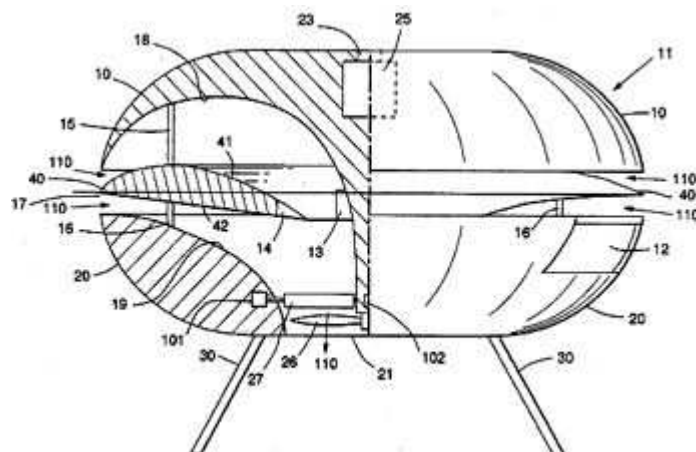
**USP # 5,064,143 (11-12-91) ~ Aircraft Having a Pair of Counter Rotating Rotors  
Bucher, Franz**



**USP # 5,054,713 (10-8-91) ~ Circular Airplane**  
**Langley, Lawrence W., et al.**

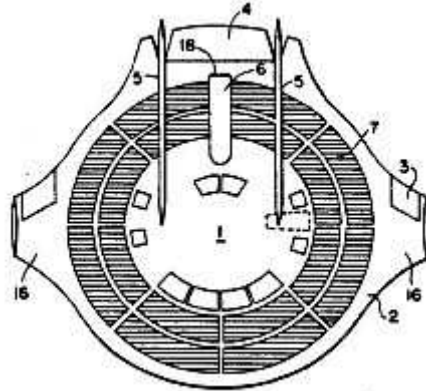


**USP # 5,046,685 (9-10-91) ~ Fixed Circular Wing Aircraft**  
**Bose, Phillip R.**



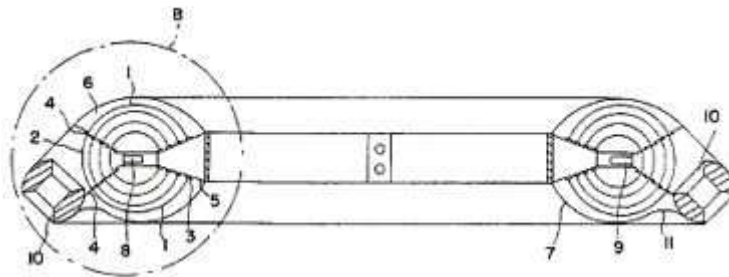
---

**USP # 5,039,031 (8-13-91) ~ Turbocraft  
Valverde, Rene L.**



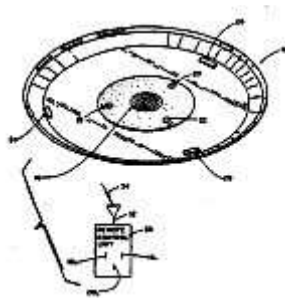
---

**USP # 4,976,395 (12-11-99) ~ Heavier-Than-Air Disk-Type Aircraft  
von Kozierowski, Joachim**



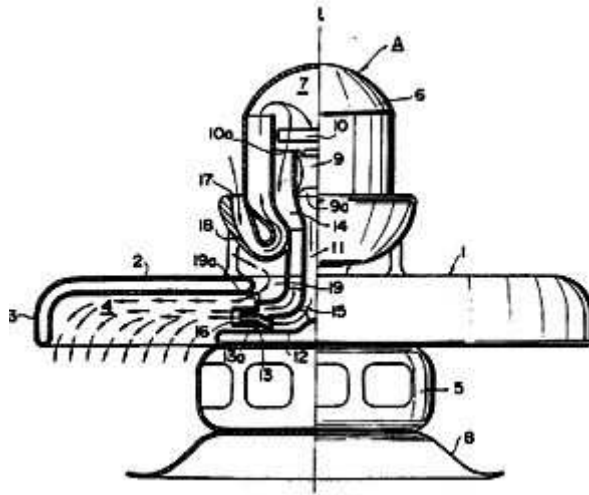
---

**USP # 4,955,962 (9-11-99) ~ Remote Control Flying Saucer  
Mell, Christian**



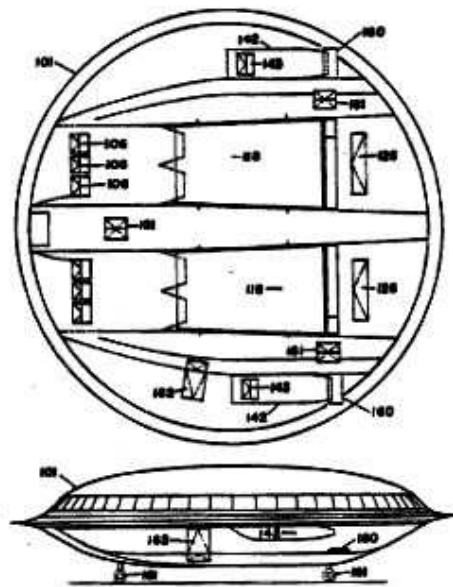
---

**USP # 4,941,628 (7-19-90) ~ Lift Generating Apparatus, &c.  
Sakamoto, Yujiro, et al.**




---

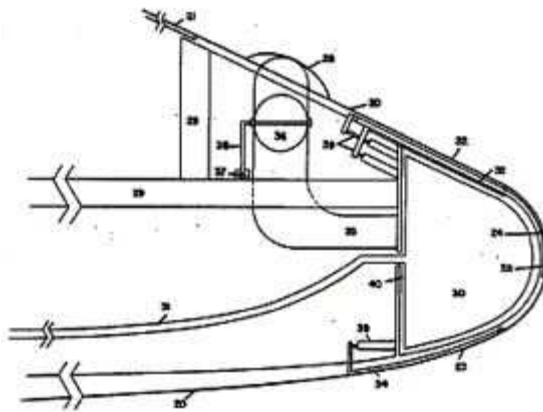
**USP # 4,824,048 (4-25-89) ~ Induction Lift Flying Saucer  
Kim, Kyusik**



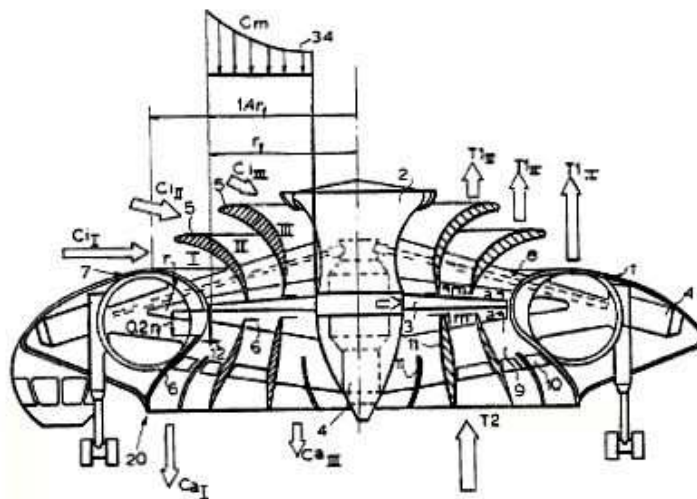

---

**USP # 4,804,156 (2-14-89) ~ Circular Aircraft  
Harmon, Rodney D.**

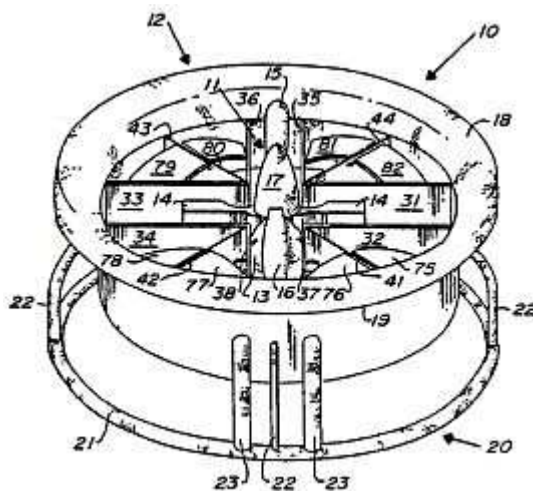




USP # 4,796,836 (1-10-89) ~ Lifting Engine for VTOL Aircrafts  
Buchelt, Benno

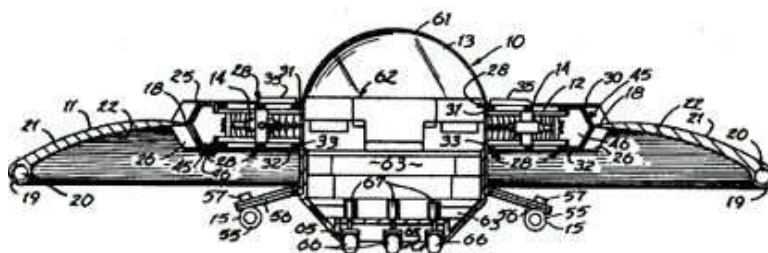


USP # 4,795,111 (1-3-89) ~ Robotic or Remotely Controlled Flying Platform  
Moller, Paul S.



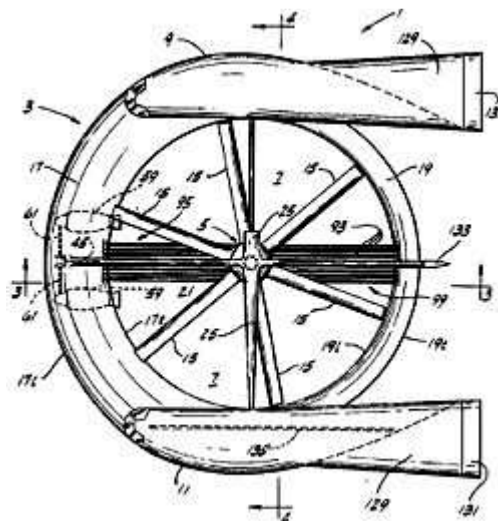
---

**USP # 4,214,720 (7-29-80) ~ Flying Disc  
DeSautel, Edwin R.**



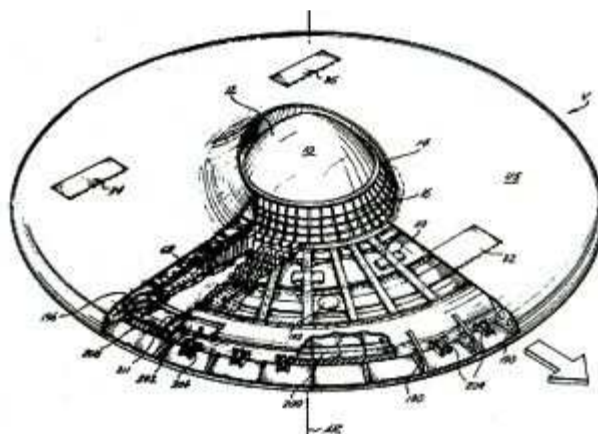

---

**USP # 4,196,877 (4-8-80) ~ Aircraft  
Mutrux, Jean L.**



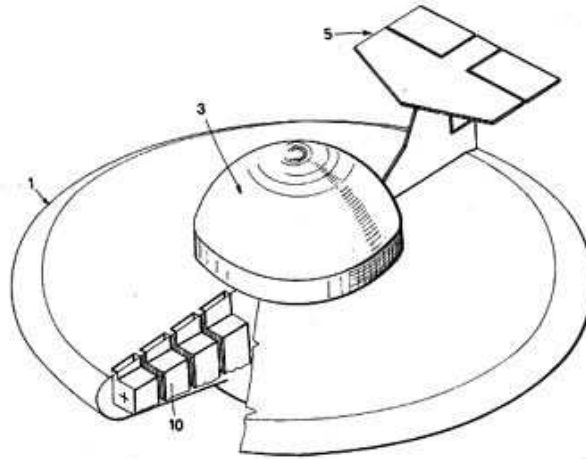

---

**USP # 4,193,568 (3-18-80) ~ Disc-Type Airborne Vehicle  
Heuvel, Norman L.**



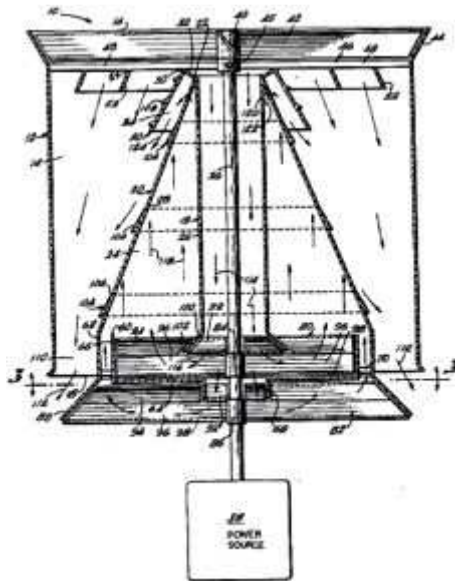
---

**USP # 4,165,848 (8-28-79) ~ Rotary Thrust Device...**  
**Bizzarri, Alfredo**



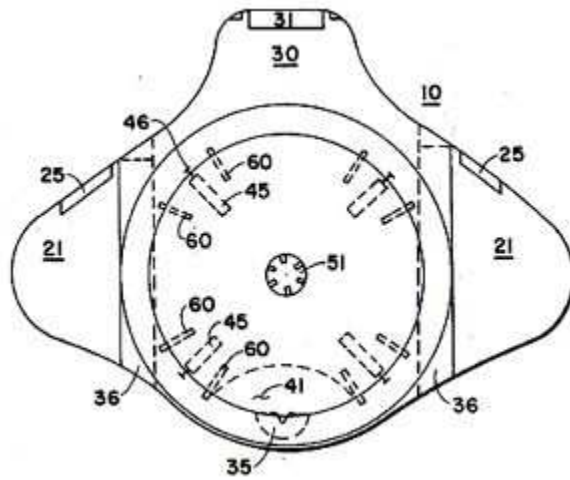
---

**USP # 4,117,992 (10-3-78) ~ Vertical Lift Device**  
**Vrana, Charles K.**

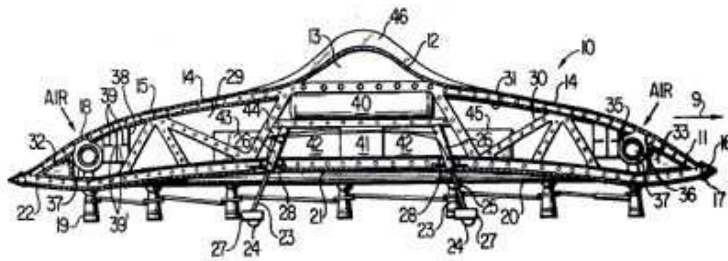


---

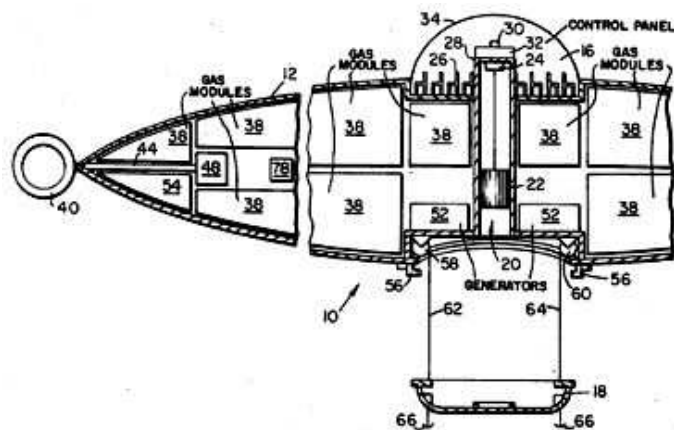
**USP # 4,050,652 (9-27-77) ~ Gyro Foil**  
**DeToia, Vincent D.**



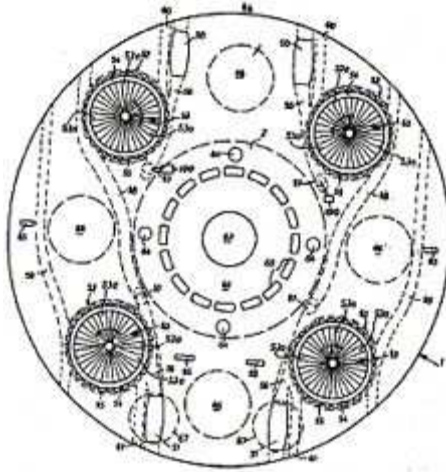
USP # 4,023,751 (5-17-77) ~ Flying Ship  
Richard, Walter A.



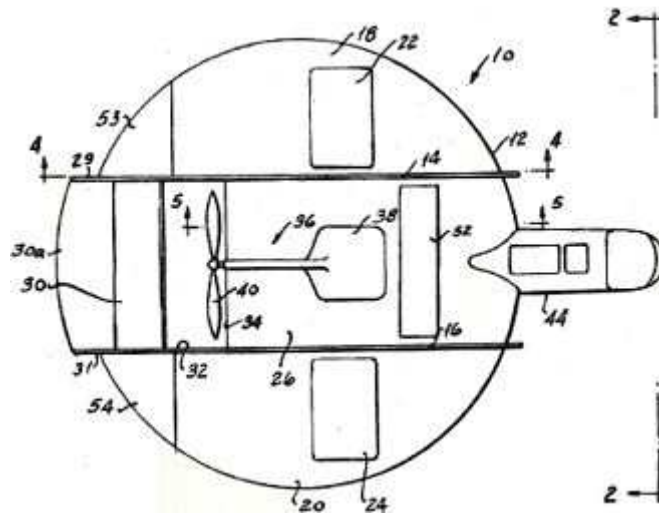
USP # 4,014,483 (3-29-77) ~ Lighter-Than-Air Craft  
MacNeil, Roderick M.



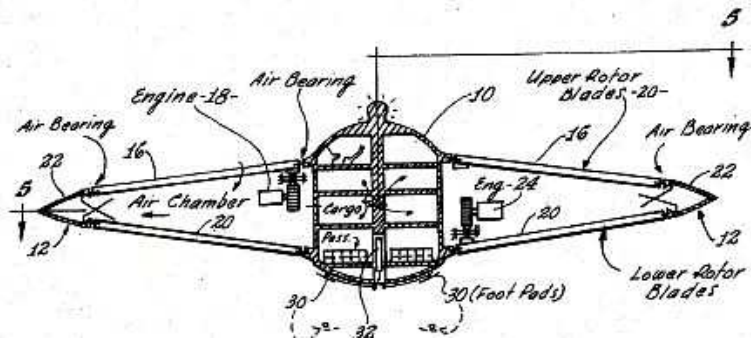
USP # 3,933,325 (1-20-76) ~ Disc-Shaped Aerospacecraft  
Kaelin, Joseph R.



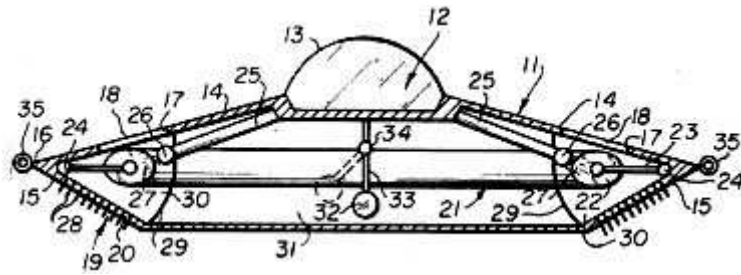
USP # 3,871,602 (3-18-75) ~ Circular Wing Aircraft  
Kissinger, Curtis D.



USP # 3,774,865 (11-27-73) ~ Flying Saucer  
Pinto, Olympio F.

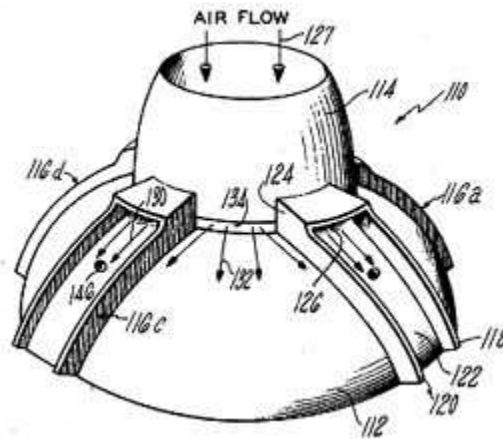


**USP # 3,750,980 (8-7-73) ~ Aircraft with VTOL Capability  
Edwards, Samuel L.**



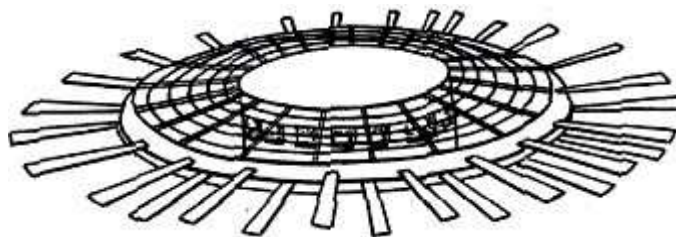
---

**USP # 3,697,020 (10-10-72) ~ Vertical Lift Machine  
Thompson, Raymond V.**



---

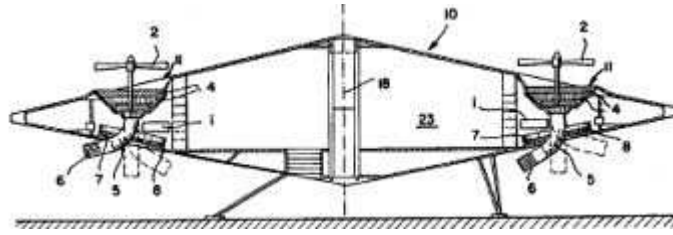
**USP # 3,690,597 (9-12-72) ~ VTOL Aircraft...  
Di Martino, Renato**



---

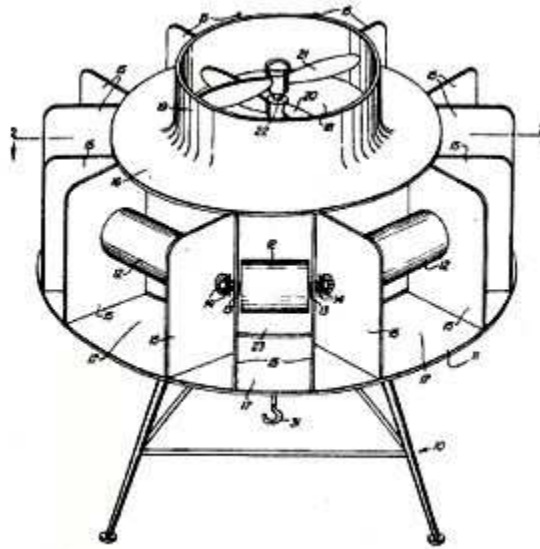
**USP # 3,640,489 (2-8-72) ~ VTOL Aircraft  
Jaeger, Karl**





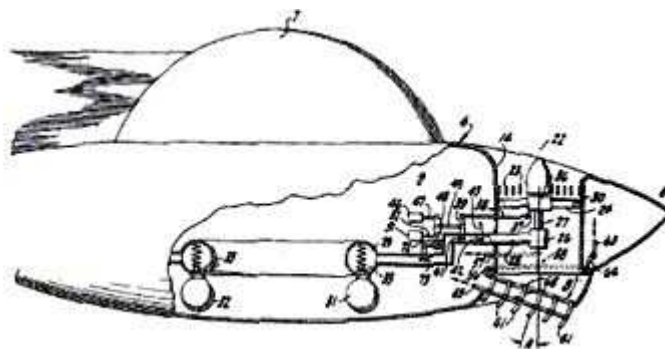
---

**USP # 3,630,470 (12-28-71) ~ VTOL Vehicle**  
**Elliot, Frederick T.**



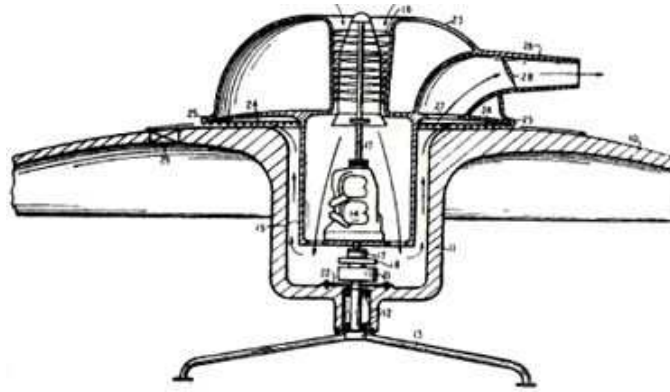
---

**USP # 3,614,030 (10-19-71) ~ Aircraft**  
**Moller, Paul S.**

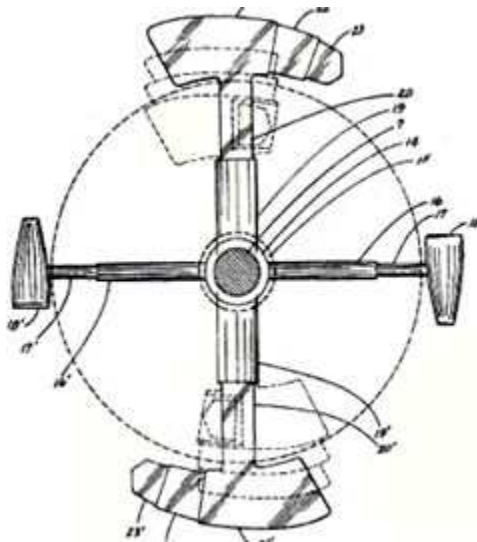


---

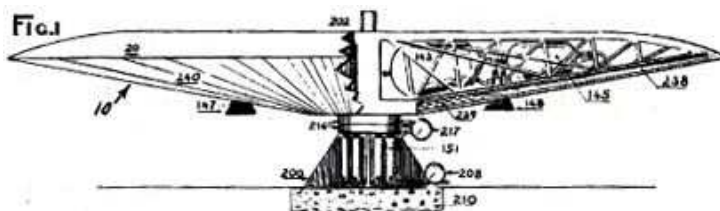
**USP # 3,612,445 (10-12-71) ~ Lift Actuator Disc**  
**Phillips, Duan A.**



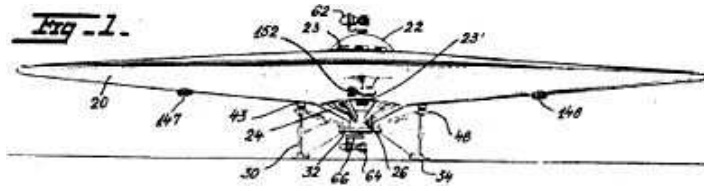
USP # 3,599,902 (8-17-71) ~ Aircraft  
Thomley, John W.



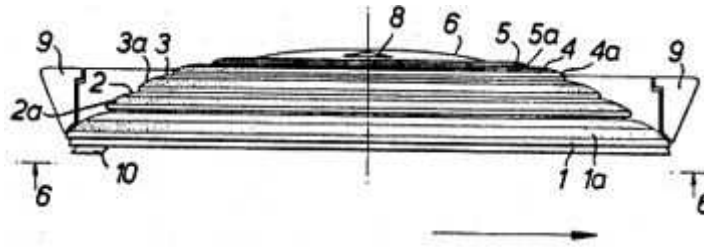
USP # 3,537,669 (11-3-70) ~ Manned Disc-Shaped Flying Craft  
Modesti, James N.



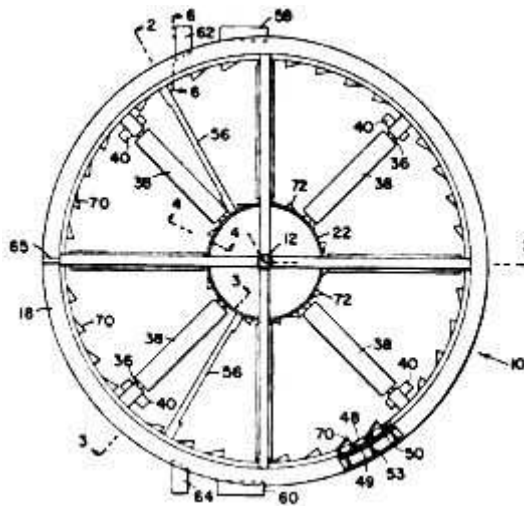
USP # 3,503,573 (3-31-70) ~ Disk Flying Craft  
Modesti, James N.



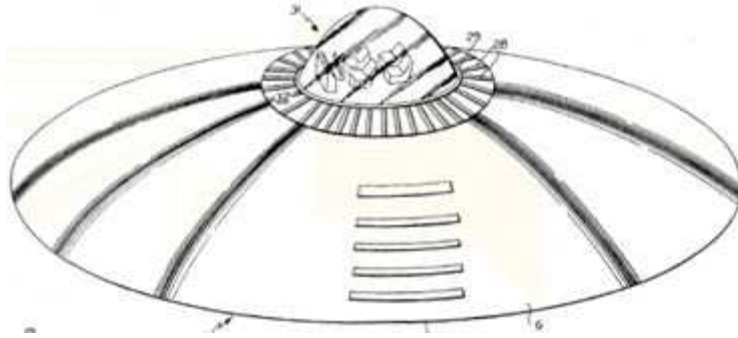
USP # 3,469,802 (9-30-69) ~ Transport  
Roberts, J. R., *et al.*



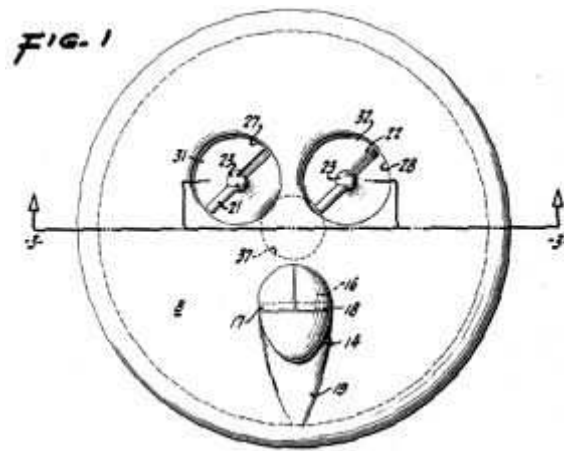
USP # 3,437,290 (4-8-69) ~ Vertical Lift Aircraft  
Norman, Francis A.



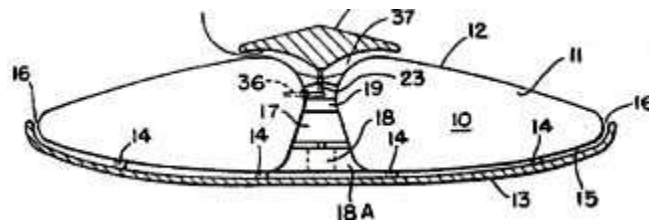
USP # 3,432,120 (4-11-69) ~ Aircraft  
Guerrero, E.



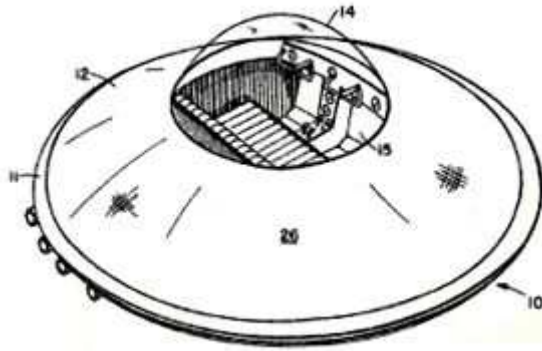
USP # 3,410,507 (11-12-68) ~ Aircraft  
Moller, Paul S.



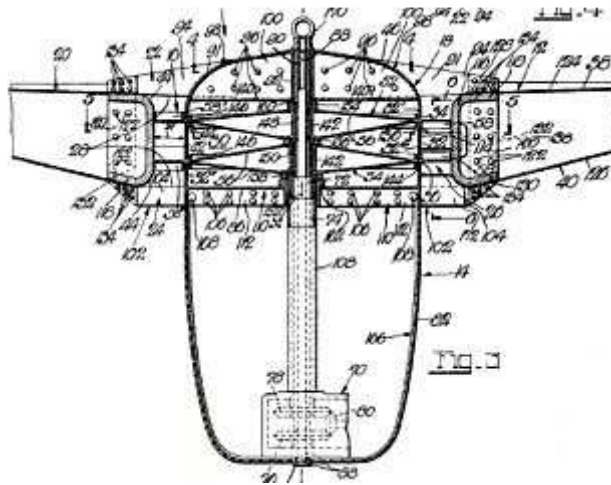
USP # 3,397,853 (8-20-68) ~ Fluid-Sustained Vehicle  
Richardson, William. B.



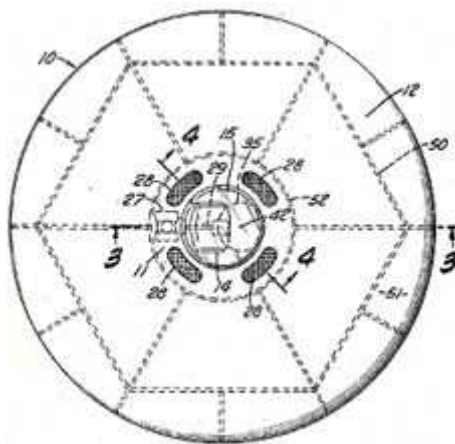
USP # 3,395,876 (8-6-68) ~ Aircraft with Housed Counter-Rotating Propellers  
Green, Jacob B.



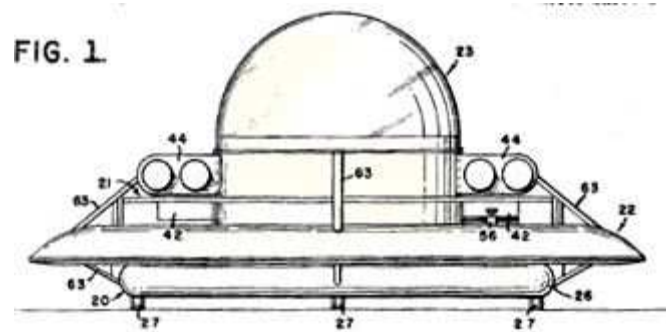
USP # 3,387,801 (6-11-68) ~ VTOL Aircraft  
Kelsey, C. W.



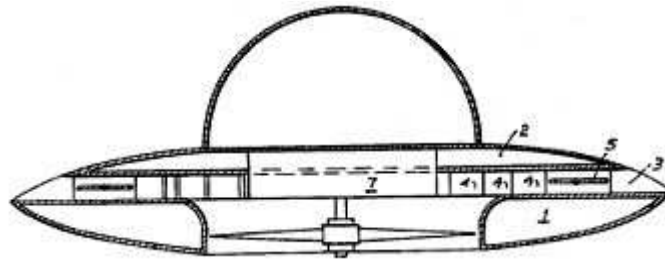
USP # 3,321,156 (5-23-67) ~ Universally Manuverable Aircraft  
McMasters, Douglas Q.



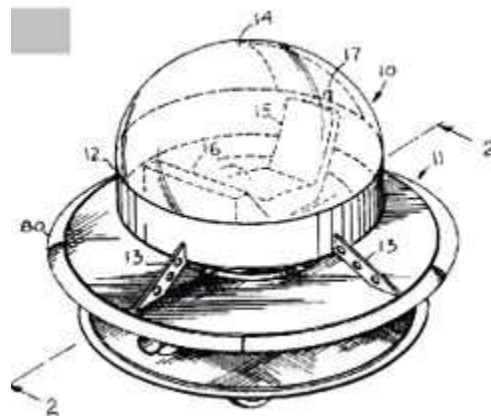
USP # 3,312,425 (4-4-67) ~ Aircraft  
Lennon, C. D., *et al.*



USP # 3,243,146 (3-29-66) ~ VTOL Aircraft  
Clover, P. B.

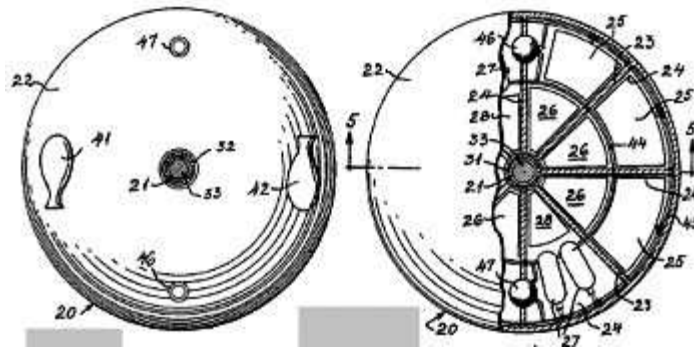


USP # 3,237,888 (3-1-66) ~ Aircraft  
Willis, William M.

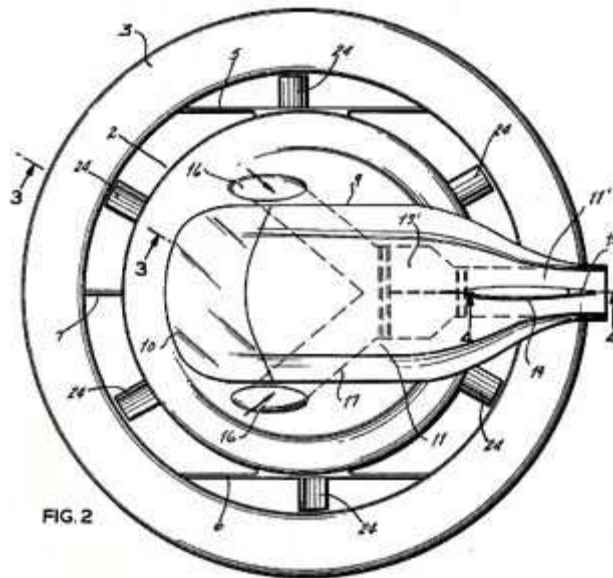


USP # 3,199,809 (8-10-65) ~ Circular Wing Flying Craft  
Modesti, James N.





USP # 3,182,929 (5-11-65) ~ VTOL Aircraft  
Lemberger, Robert A.



USP # 3,124,323 (3-10-64) ~ Aircraft Propulsion & Control  
Frost, John C. M.

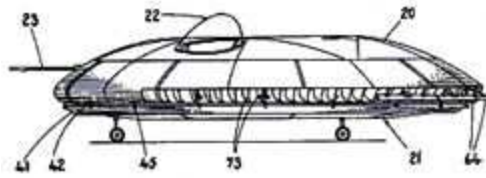


FIG. 1

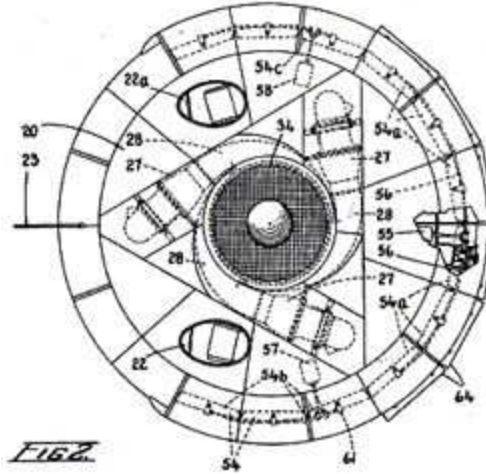
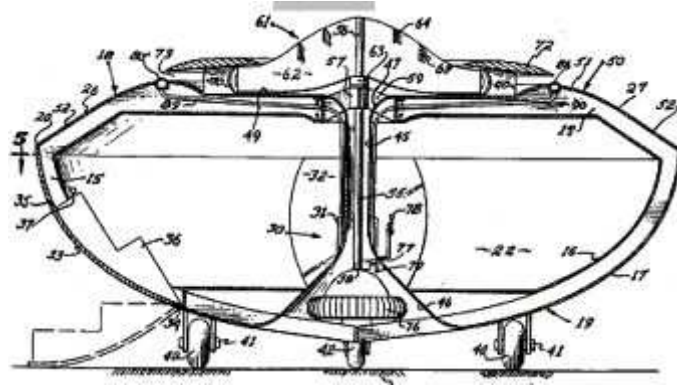
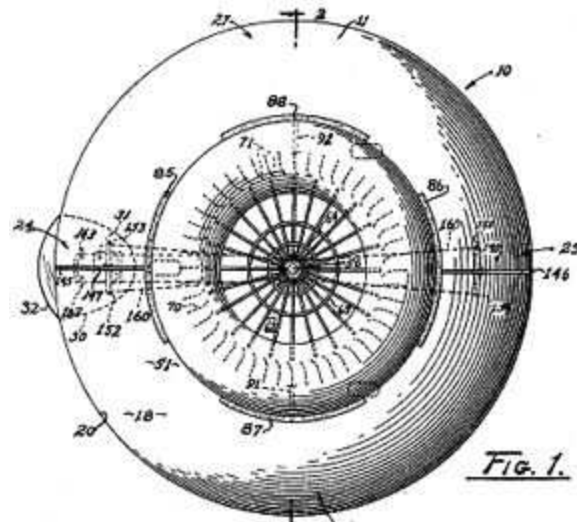


FIG. 2

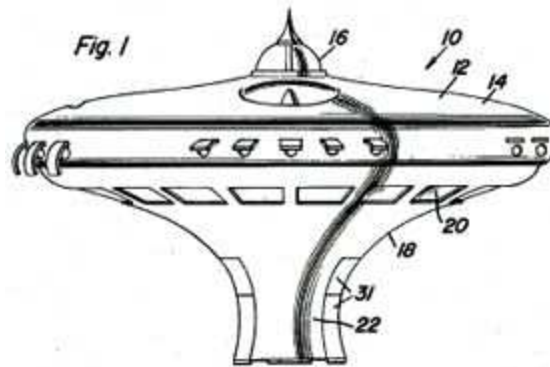
USP # 3,123,320 (4-3-64) ~ Vertical Rise Aircraft  
Slaughter, E. E.



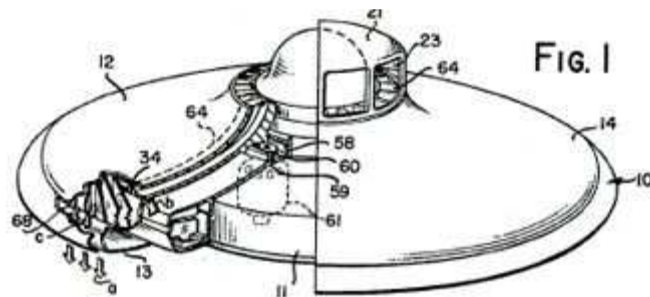
USP # 3,073,551 (1-15-63) ~ Vertical Lift Aircraft  
Bowersox, Joseph W.



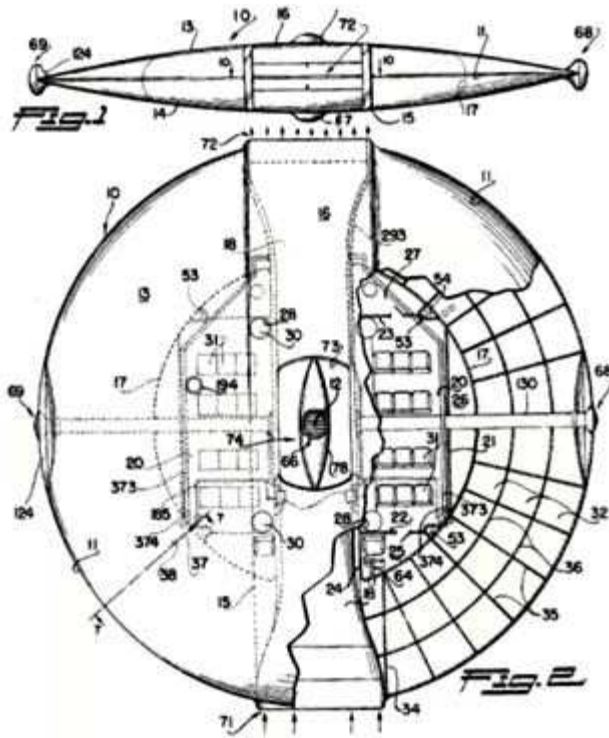
USP # 3,072,366 (1-8-63) ~ Fluid-Sustained Aircraft  
 Freeland, Leonor Z.



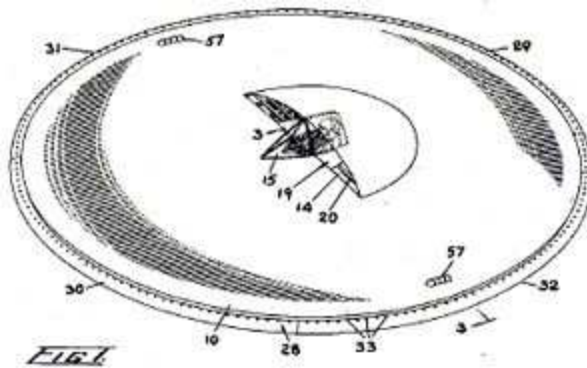
USP # 3,067,967 (12-11-62) ~ Flying Machine  
 Barr, I. R.



USP # 3,066,890 (12-4-62) ~ Supersonic Aircraft  
 Price, Nathan C.



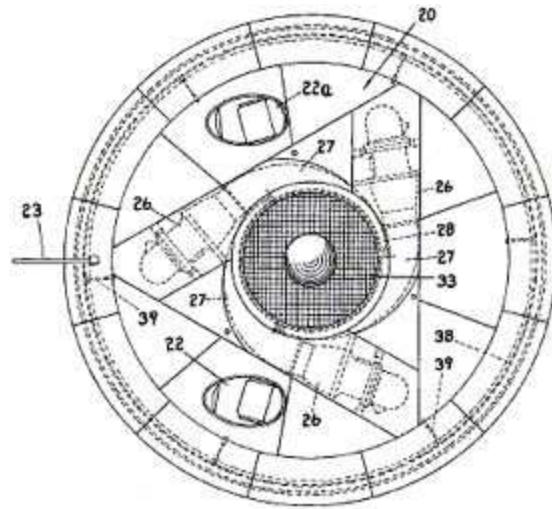
**USP # 3,065,935 (11-27-62) ~ VTOL Aircraft  
Dubbury, J., et al.**



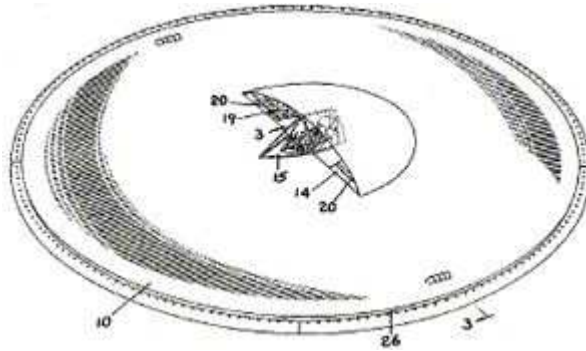
**USP # 3,051,417 (8-28-62) ~ Aircraft Control Systems  
Frost, John C. M., et al.**

**USP # 3,051,415 (8-28-62) ~ Fluid-Sustained Aircraft  
Frost, John C. M.**

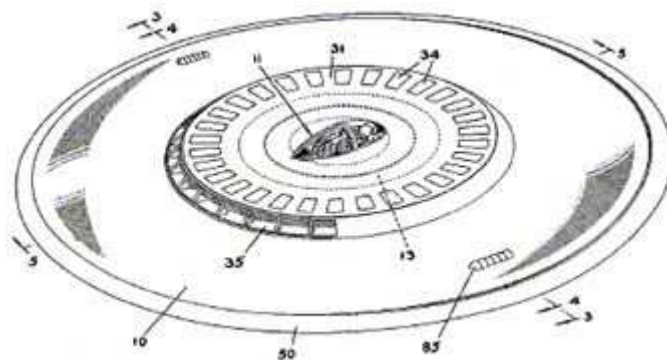
**USP # 3,051,414 (8-28-62) ~ Aircraft with Jet Fluid Control Ring  
Frost, John C. M.**



**USP # 3,024,966 (3-13-62) ~ Radial Flow Gas Turbine Engine Rotor Bearing  
Frost, John C. M.**



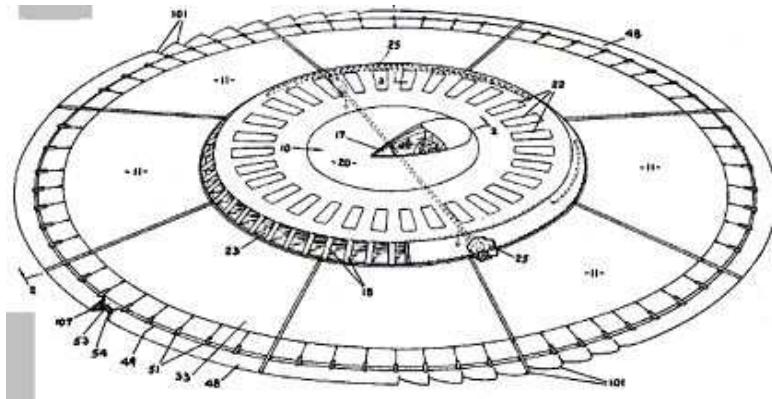
**USP # 3,022,963 (2-27-62) ~ Disc-type Aircraft...  
Frost, John C. M., et al.**



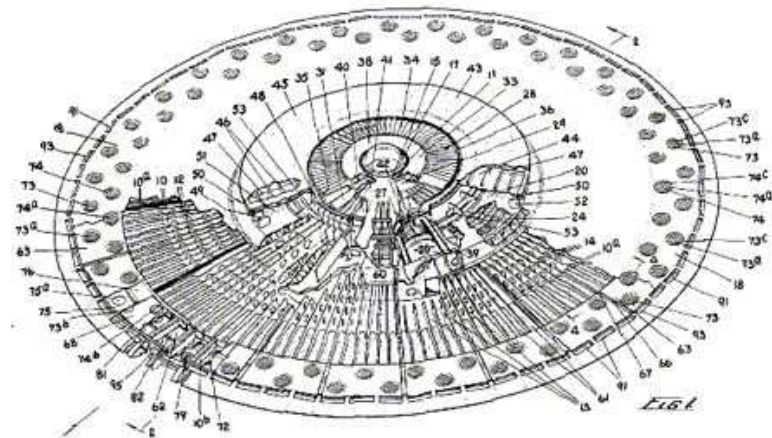
**USP # 3,020,003 (2-6-62) ~ Disc Aircraft...  
Frost, John C. M., et al.**



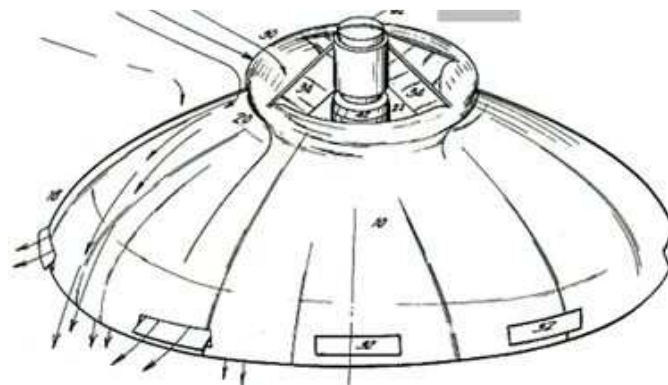
**USP # 3,018,068 (1-23-62) ~ Disc Aircraft...**  
**Frost, John C. M., et al.**



**USP # 3,020,002 (2-6-62) ~ VTOL Control**  
**Frost, John C. M.**

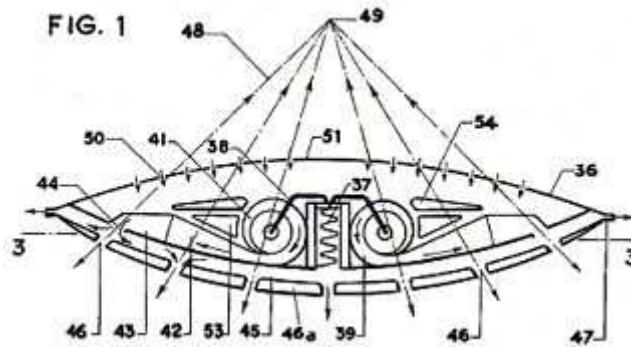


**USP # 2,997,254 (8-22-61)~ Gyro-Stabilized Vertical Rising Vehicle (Discoid)**  
**Mulgrave, Thomas P., et al.**

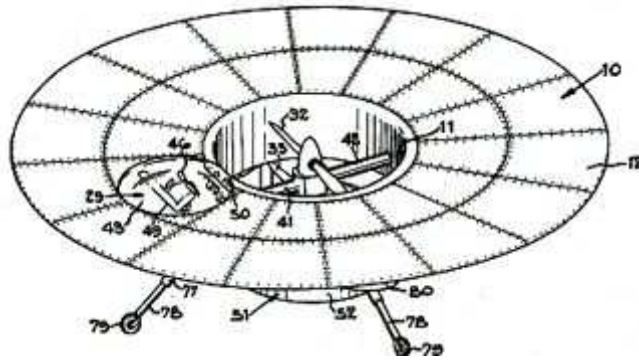




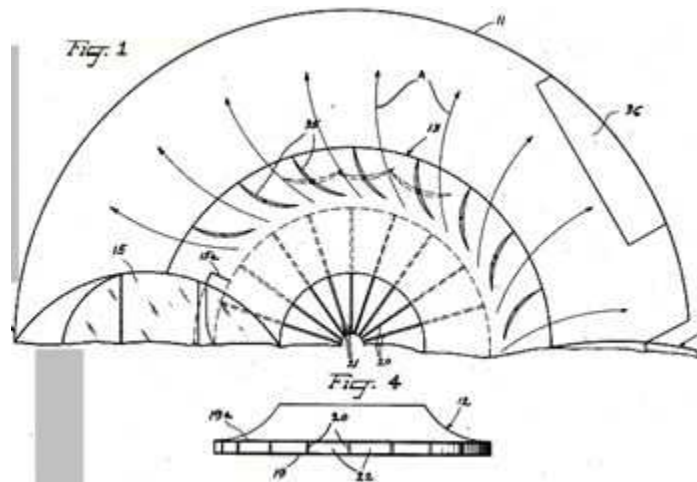
USP # 2,988,303 (6-13-61) ~ Jet-Sustained Aircraft  
Coanda, Henri



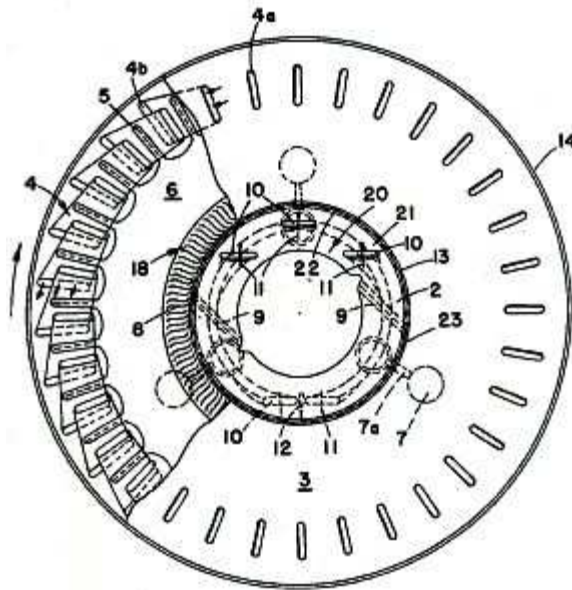
USP # 2,953,320 (9-20-60) ~ Aircraft with Ducted Lifting Fan  
Parry, Robert D.



USP # 2,944,762 (7-12-60) ~ Aircraft  
Lane, Thomas R.

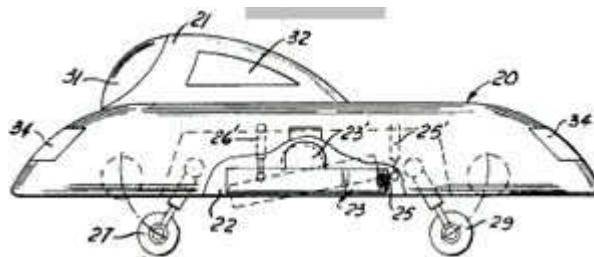


**USP # 2,939,648 (6-7-60) ~ Rotating Jet Aircraft with Lifting Disc Wing...**  
**Fleissner, H.**



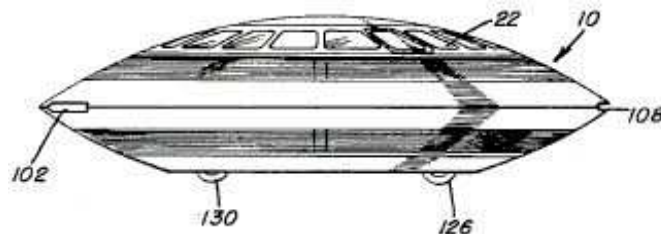
---

**USP # 2,937,492 (5-24-60) ~ Rotary Reaction Engine**  
**Lehberger, Arthur N.**



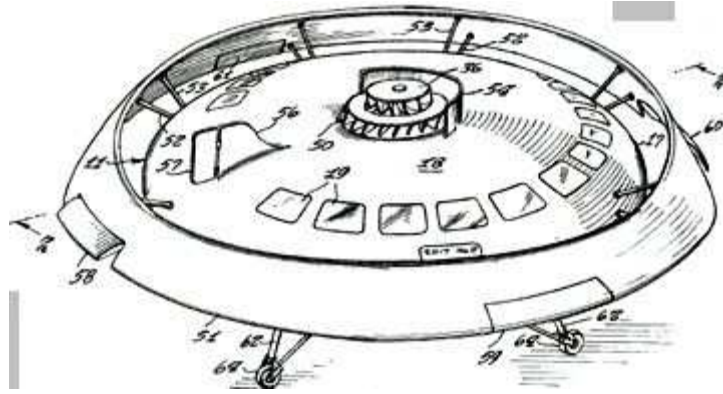
---

**USP # 2,935,275 (5-3-60) ~ Disc-Shaped Aircraft**  
**Grayson, Leonard W.**

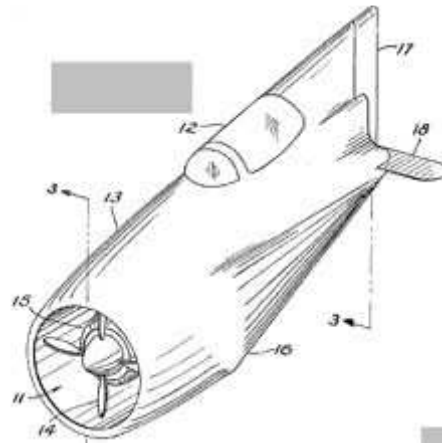


---

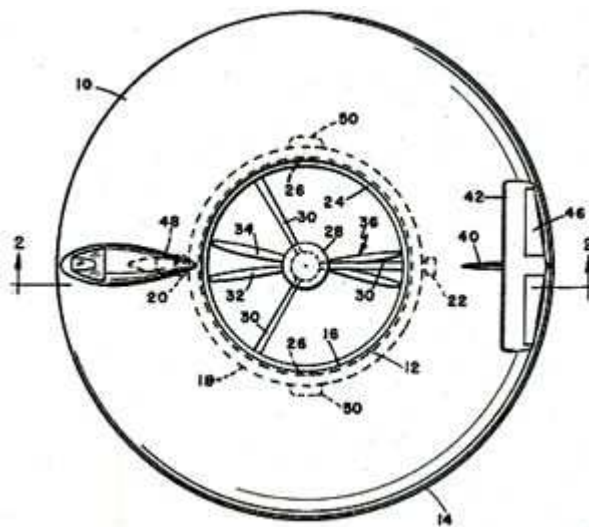
**USP # 2,927,746 (3-8-60) ~ Toroidal Aircraft**  
**Mellen, Walter R.**



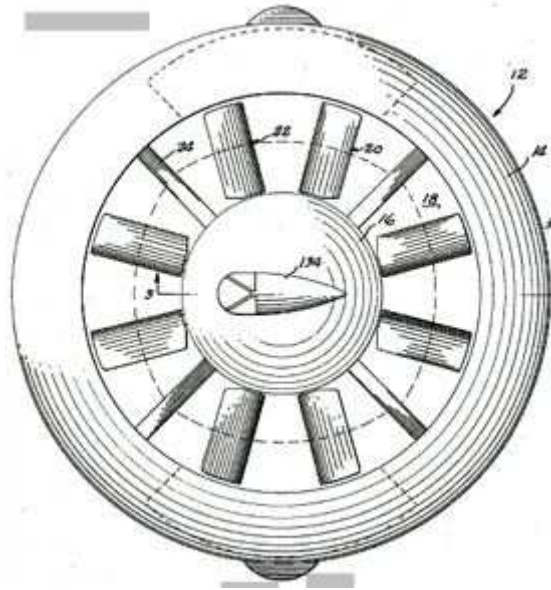
**USP # 2,918,230 (12-22-59) ~ Fluid-Sustained & Fluid-Propelled Aircraft  
Lippisch, Alexander M.**



**USP # 2,876,965 (3-10-59) ~ Circular Wing Aircraft...  
Streib, Homer F.**

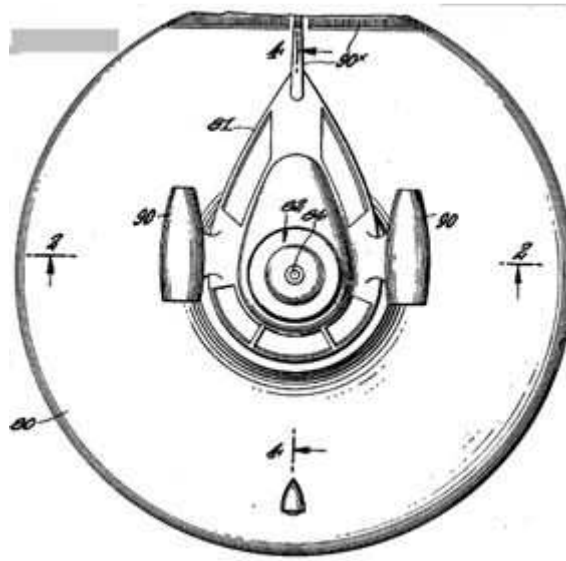


**USP # 2,863,621 (12-9-58) ~ Vertical & Horizontal Flight Aircraft  
Davis, John W.**



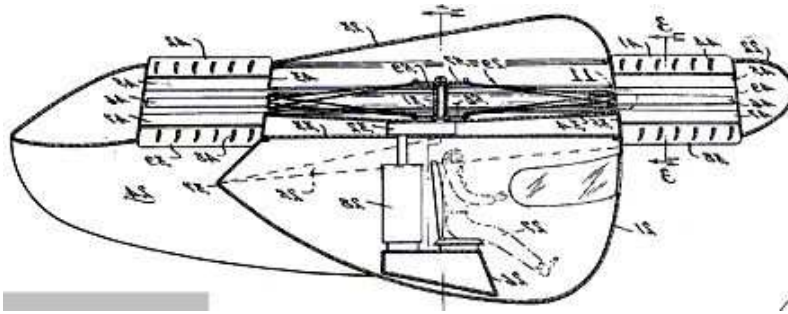
---

**USP # 2,801,058 (7-30-57) ~ Saucer-Shaped Aircraft  
Lent, Constantin P.**

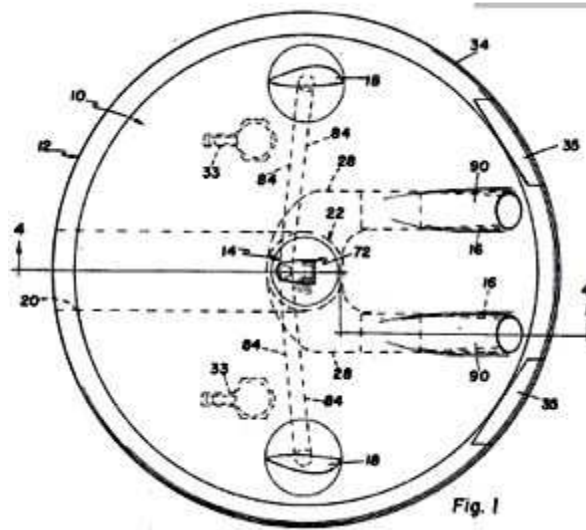


---

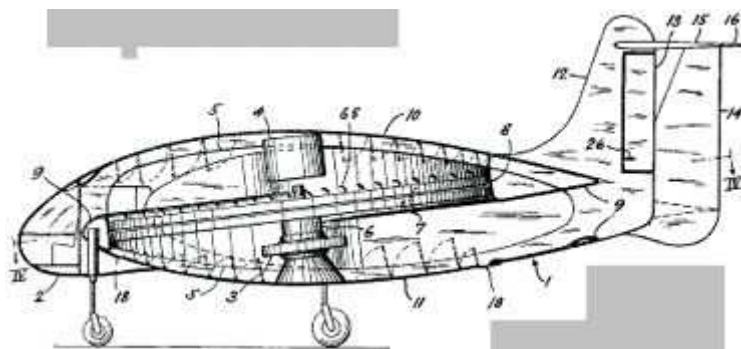
**USP # 2,777,649 (1-15-57) ~ Fluid-Sustained Aircraft  
Williams, Samuel B.**



USP # 2,772,057 (11-27-56) ~ Circular Aircraft &c..  
Fischer, John C.

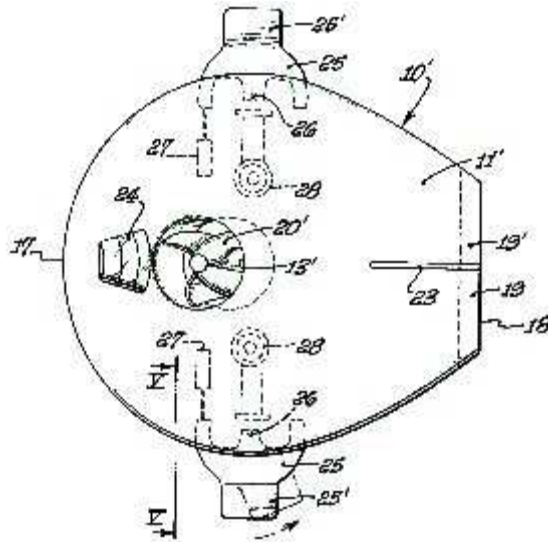


USP # 2,736,514 (2-28-56) ~ Convertible Aircraft  
Ross, Robert S.

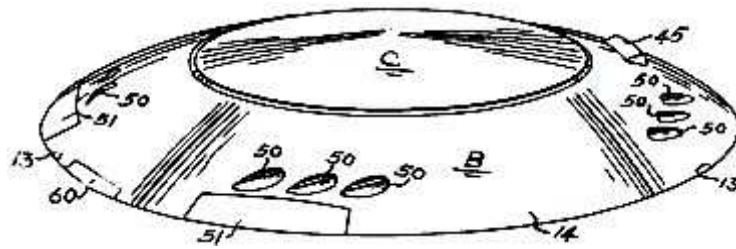


USP # 2,730,311 (1-10-56) ~ Impeller Propelled Aerodynamic Body  
Doak, Edmond R.

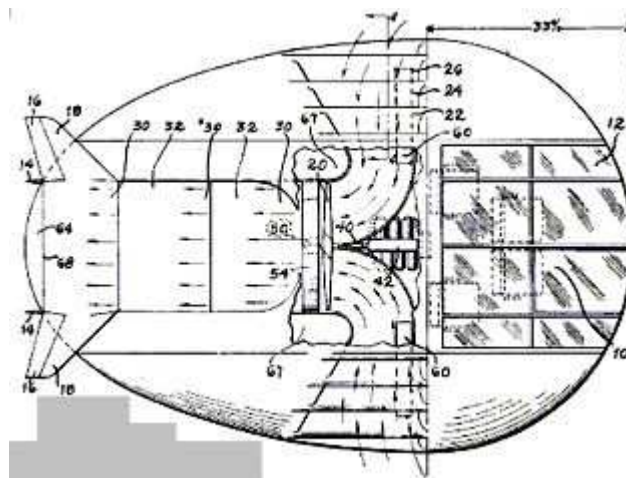




USP # 2,718,364 (9-20-55) ~ Fluid-Sustained & Propelled Aircraft...  
Crabtree, E.L.

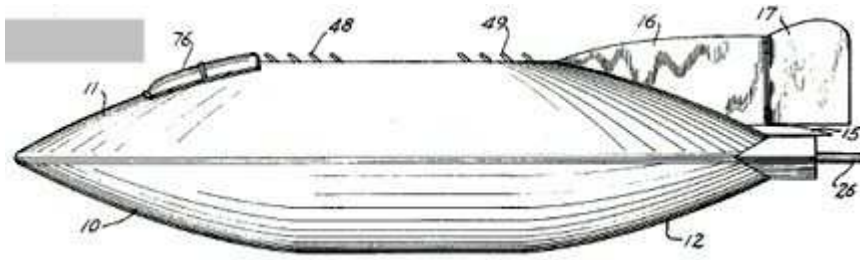


USP # 2,619,302 (11-25-52) ~ Low Aspect Ratio Aircraft  
Loedding, Alfred C.

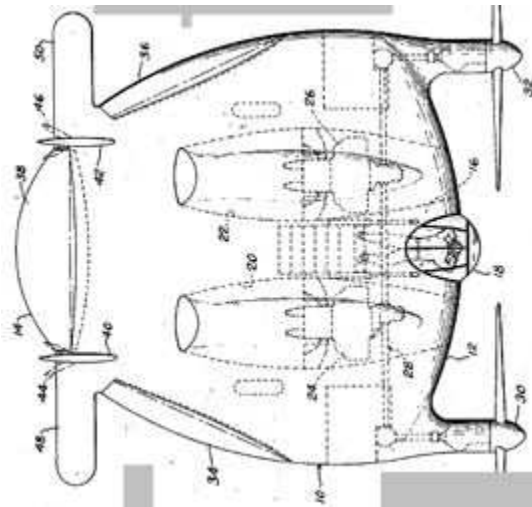


USP # 2,567,392 (9-11-51) ~ Fluid-Sustained Aircraft  
Naught, Harold

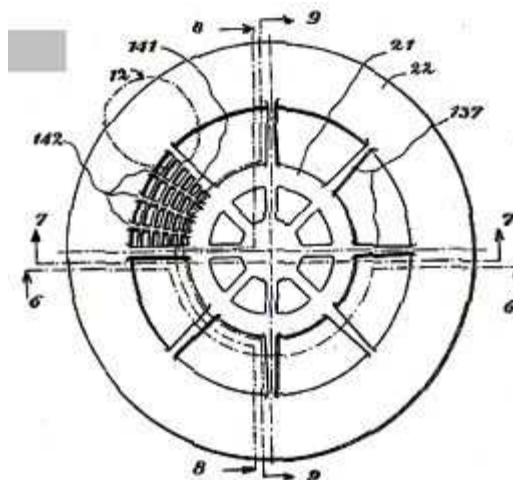




**USP # 2,431,293 (11-18-47) ~ Airplane of Low Aspect Ratio  
Zimmermann, Charles H.**



**USP # 2,377,835 (6-5-45) ~ Discopter  
Weygers, Alexander G.**



**USP # 1,887,411 (11-8-32) ~ Aircraft Construction  
Johnson, R. B.**

